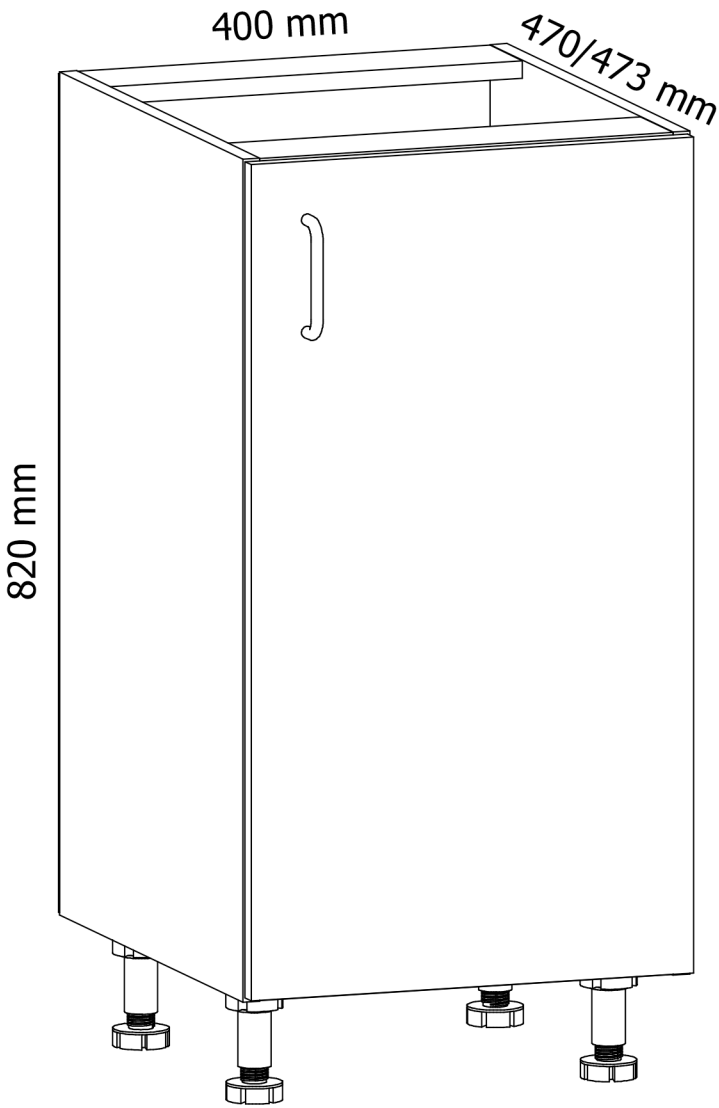
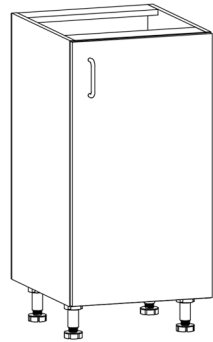


D40

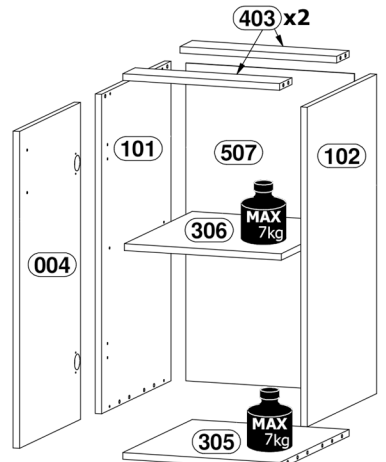
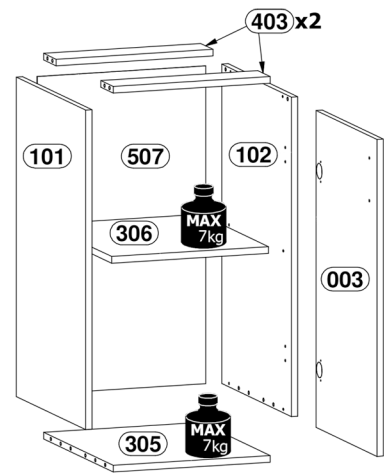
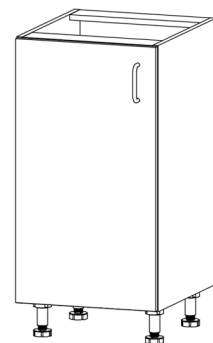
S40



D40(P) / S40

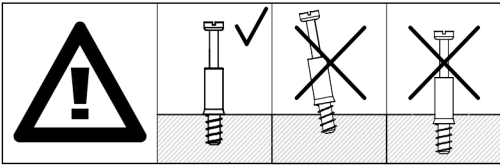
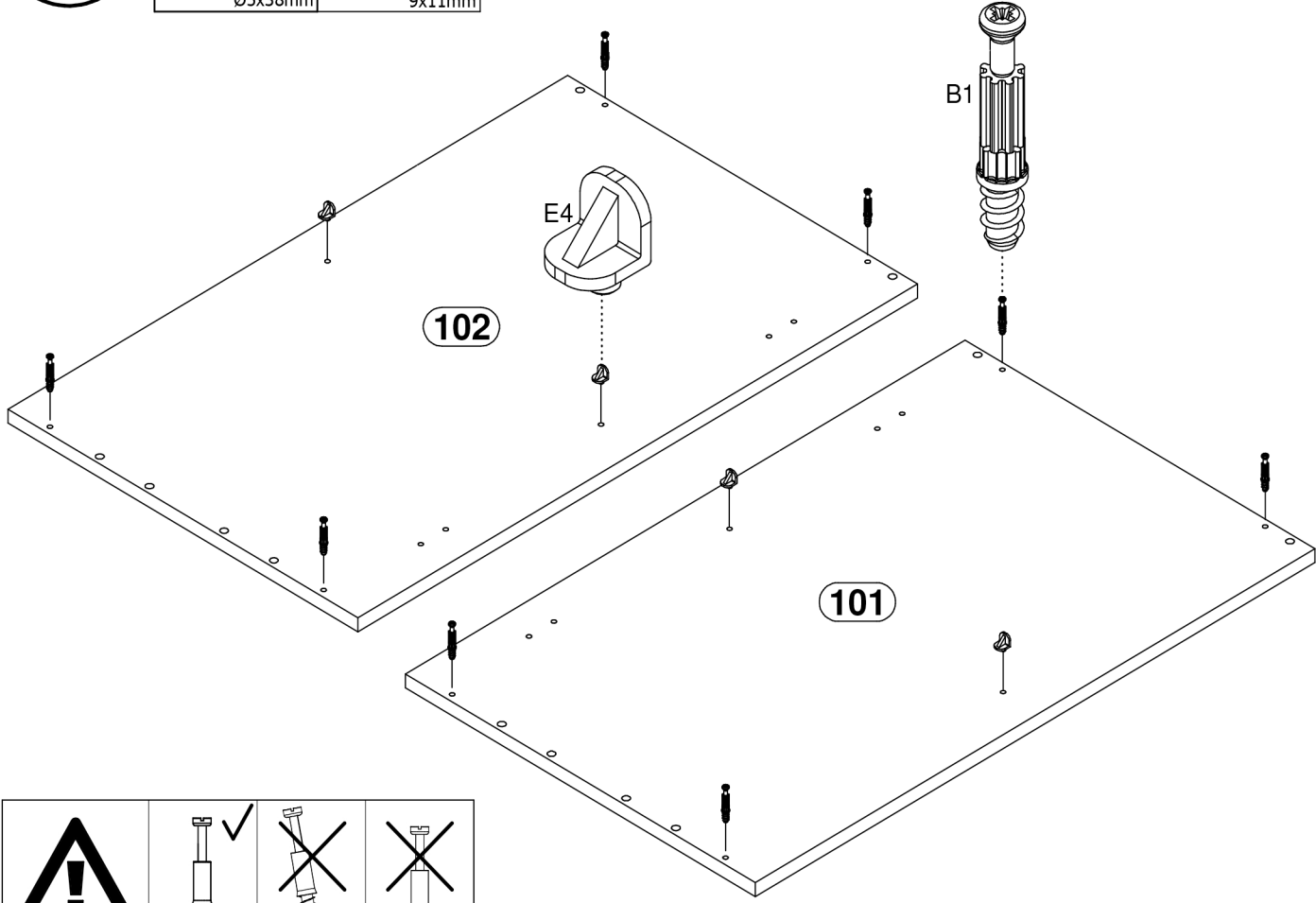
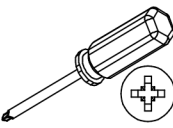
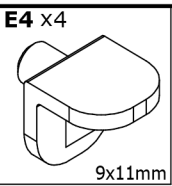
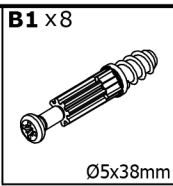


D40(L)

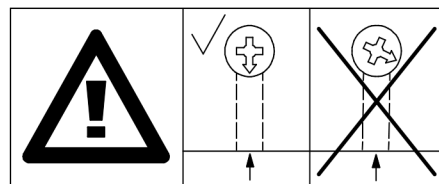
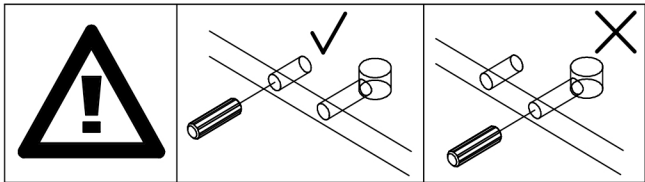
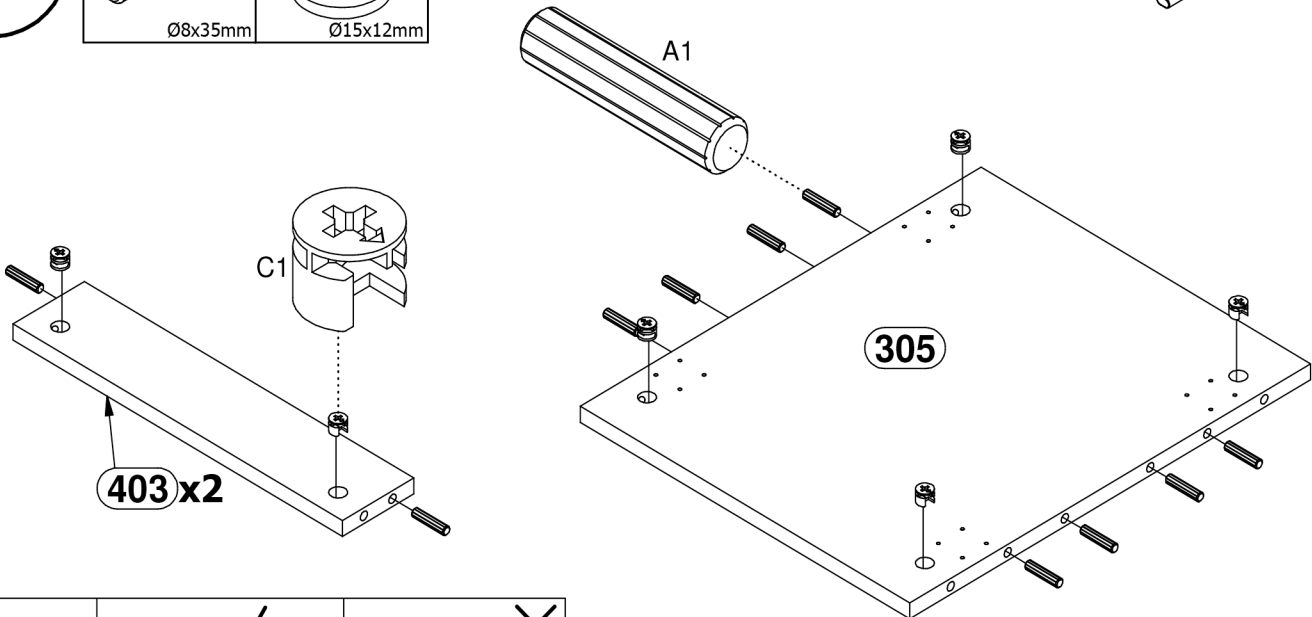
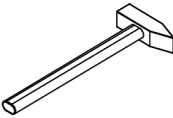
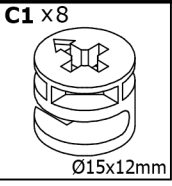
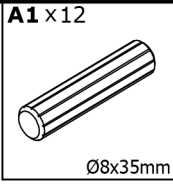


A1 x 12 Ø8x35mm	B1 x 8 Ø5x38mm	C1 x 8 Ø15x12mm	E4 x 4 9x11mm	G1 x 22 26mm
L1 x 4 Ø50x95mm	U x 1 	W2 x 20 Ø3,5x16mm	X x 2 	Zc1 x 2
Zc2 x 2 				

1



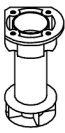
2



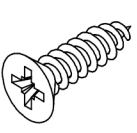
3

L1 x 4

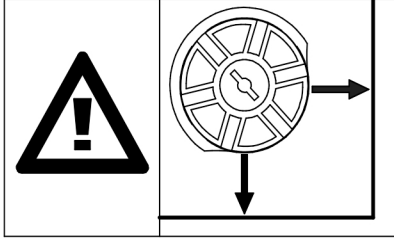
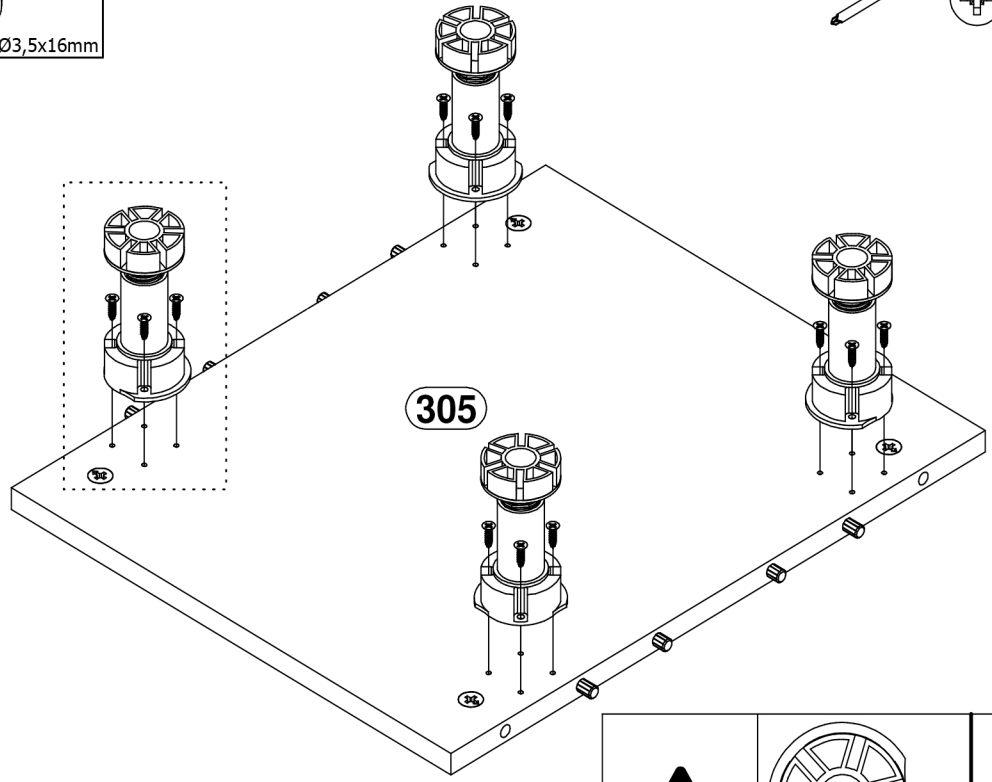
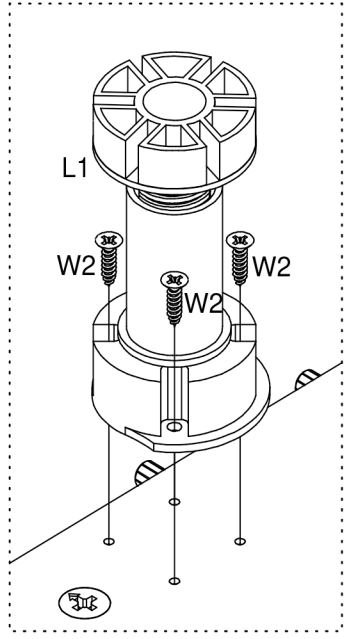
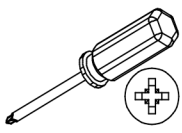
W2 x 16



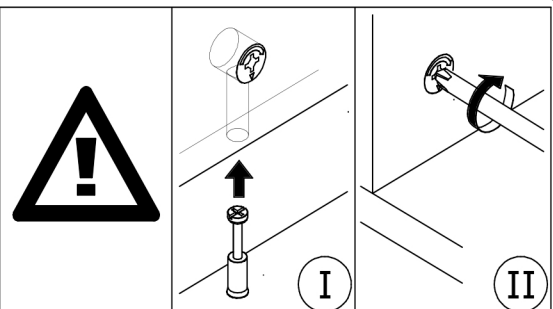
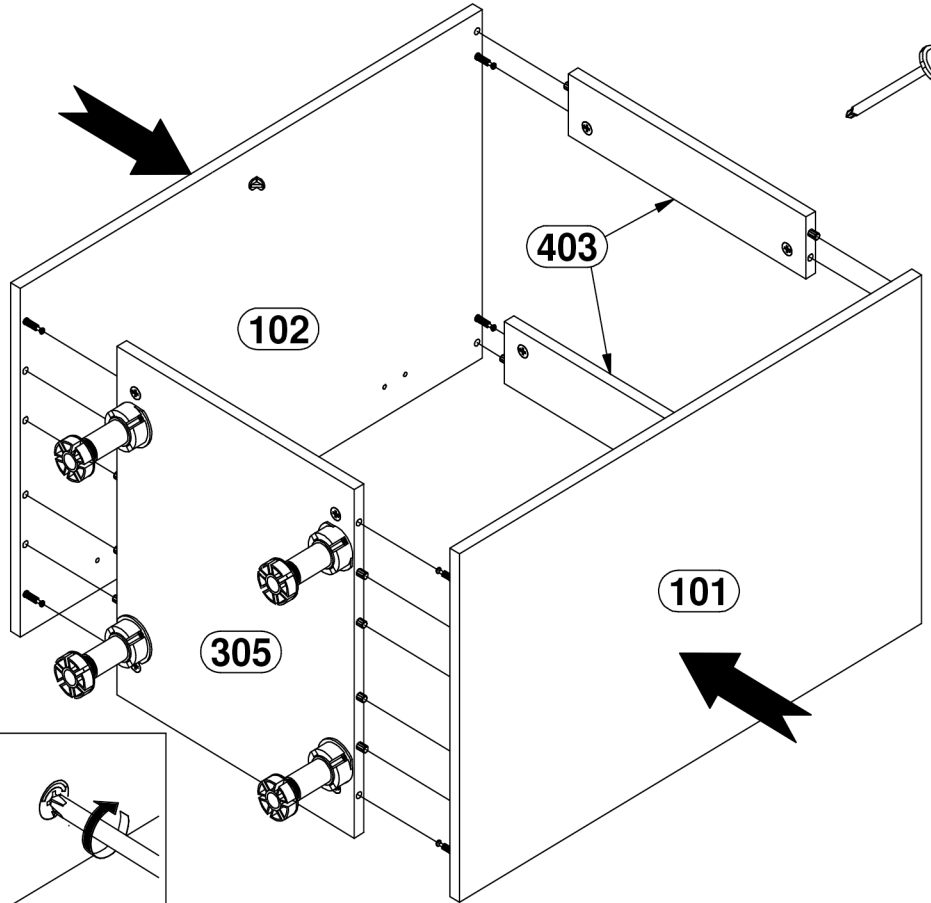
Ø50x95mm



Ø3,5x16mm

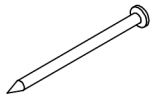


4

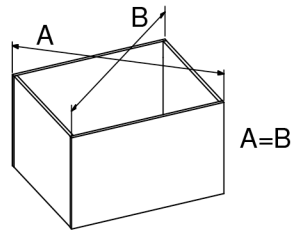
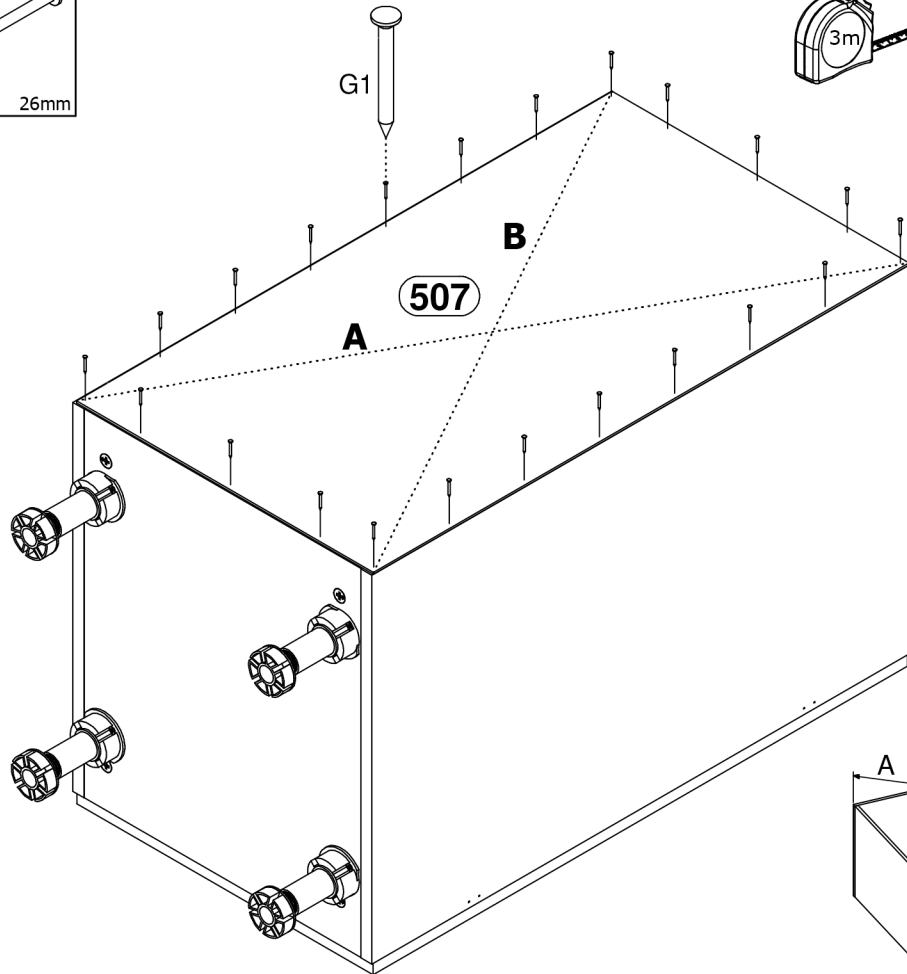
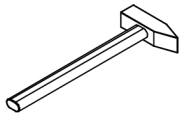
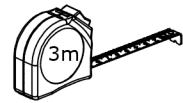


5

G1 x 22



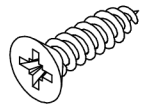
26mm



A=B ≡ 90°

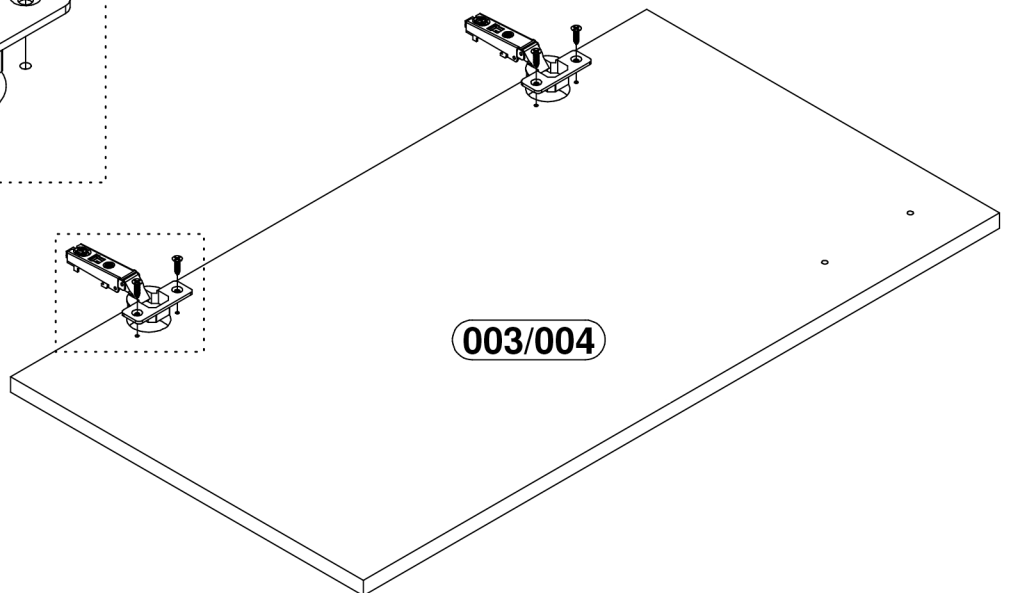
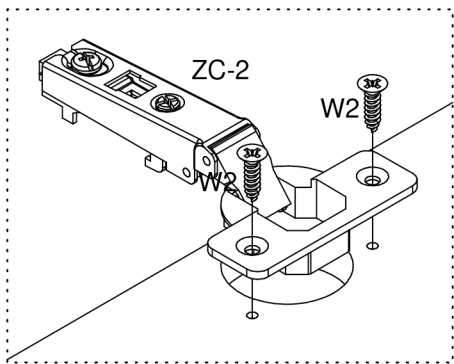
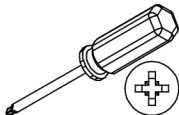
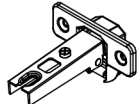
6

W2 x 4

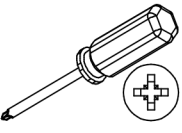


Ø3,5x16mm

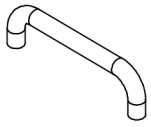
Zc2 x 2



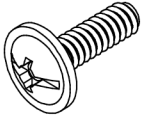
7



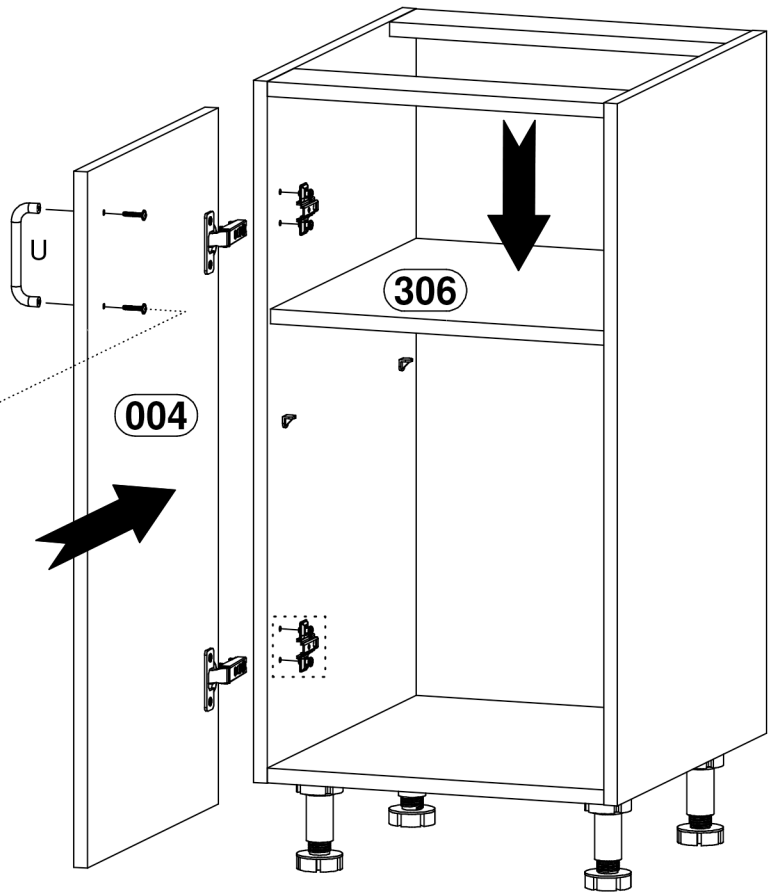
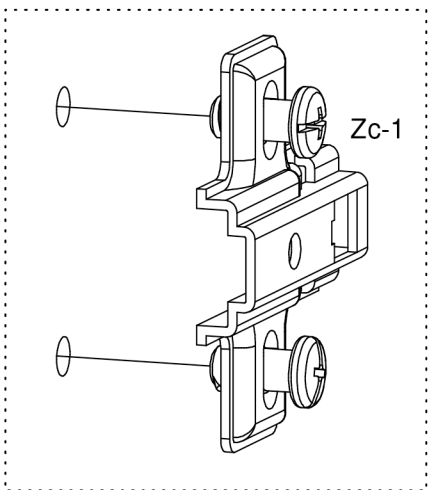
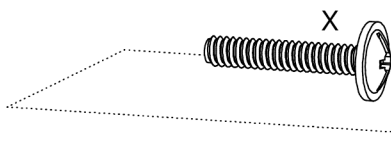
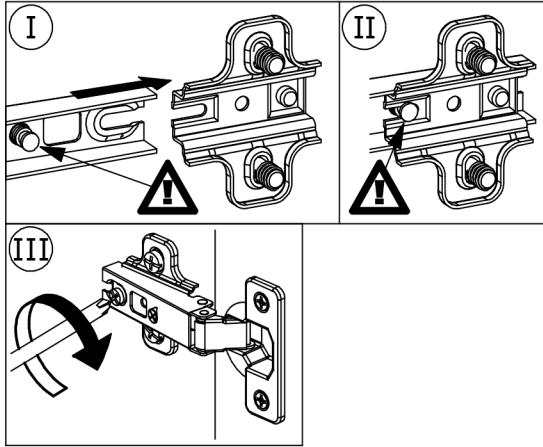
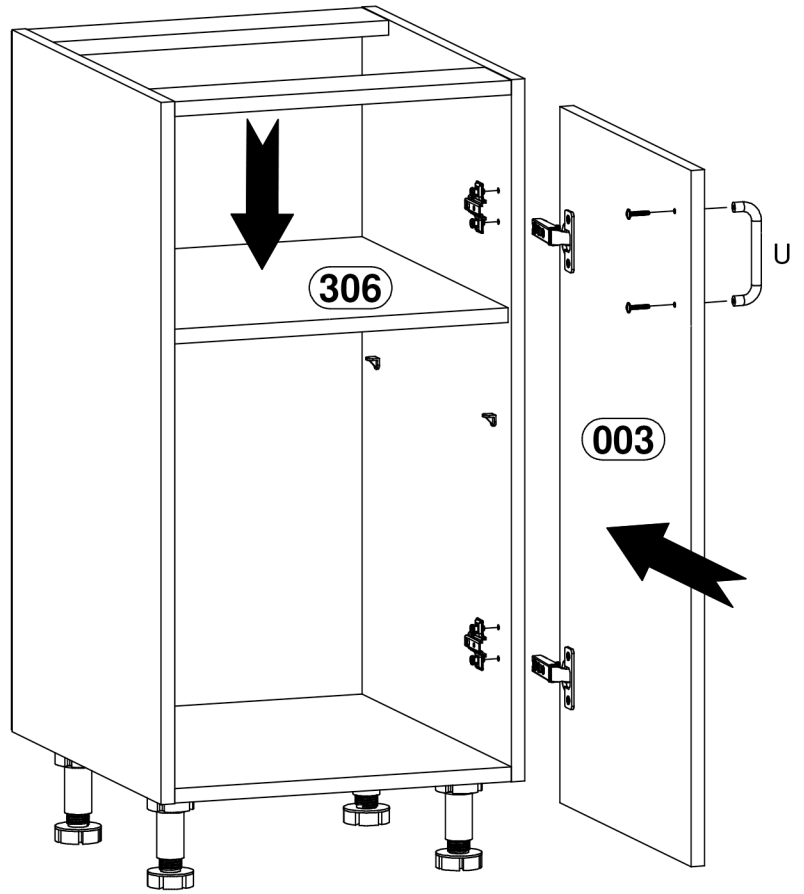
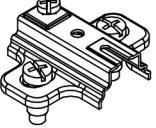
U x 1



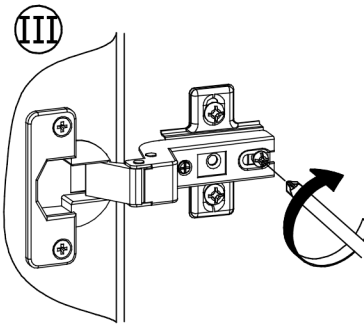
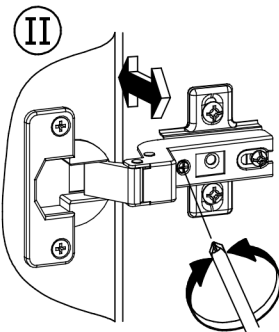
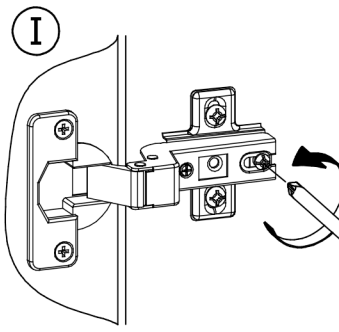
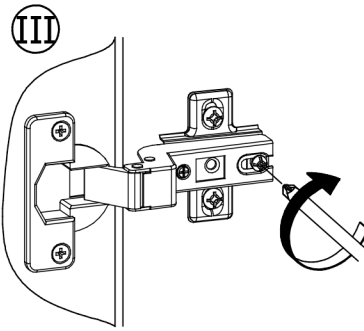
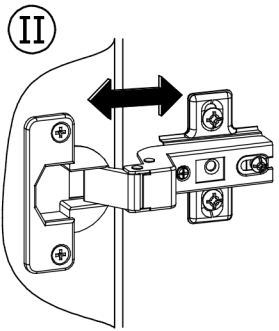
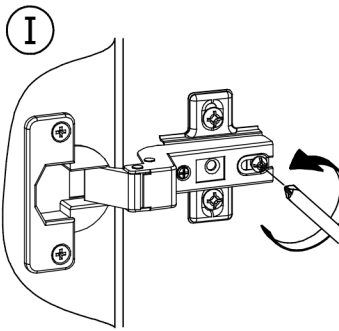
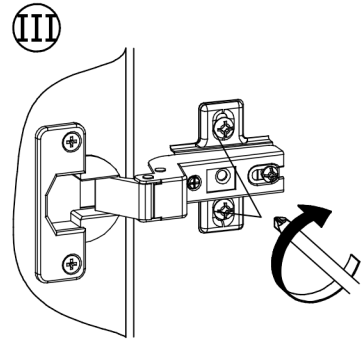
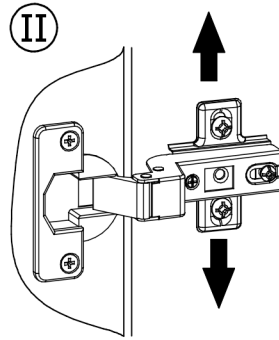
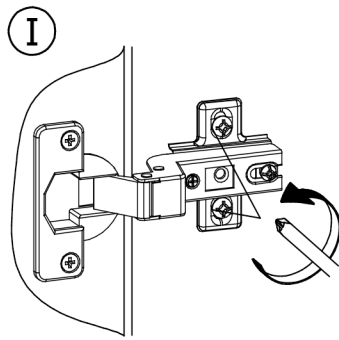
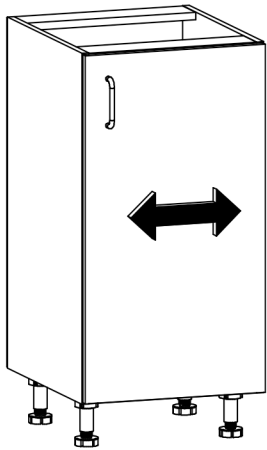
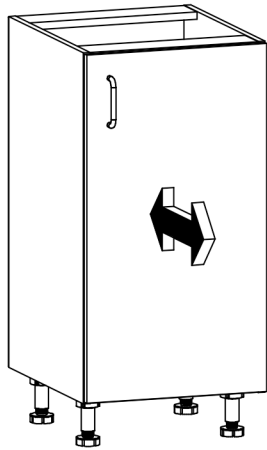
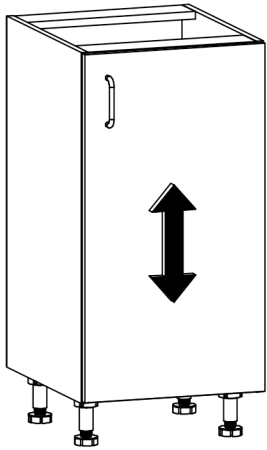
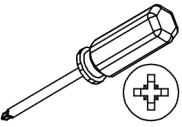
X x 2

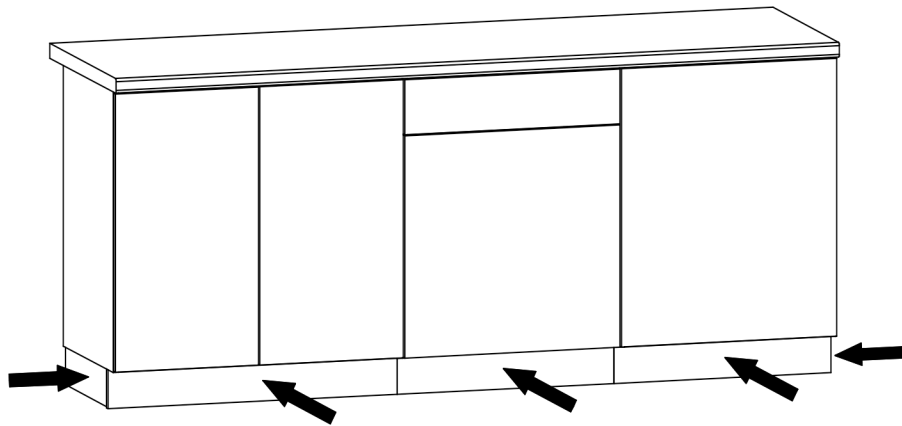
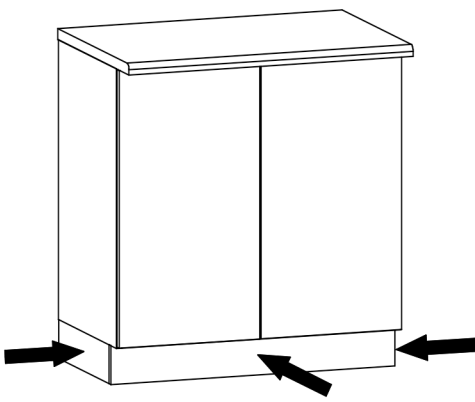
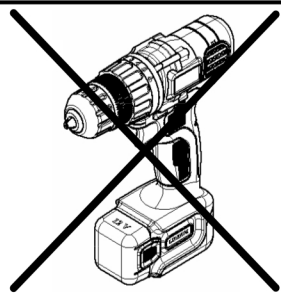
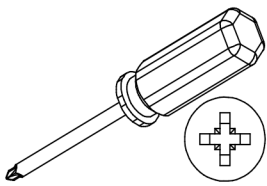


Zc1 x 2

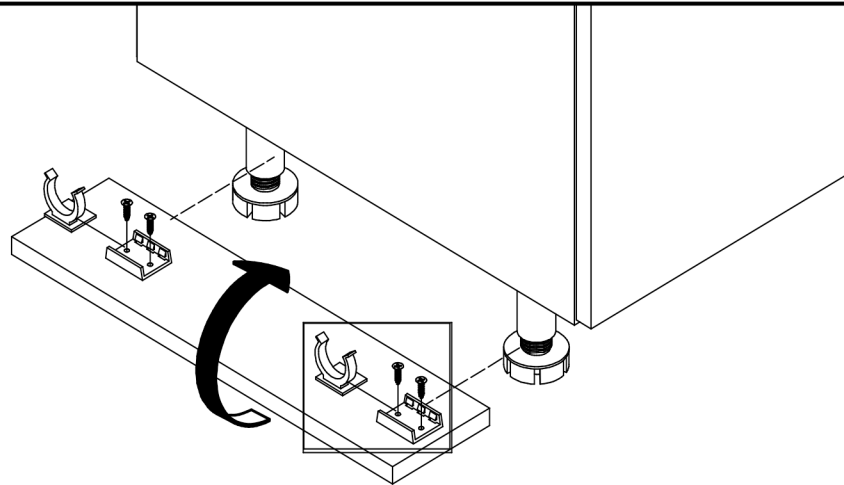
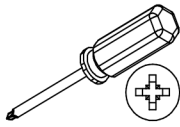


8

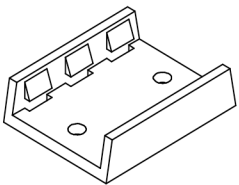




C1

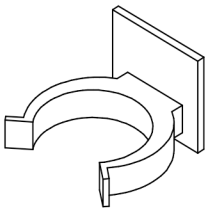


L6-ax4



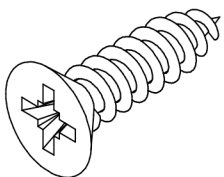
38x30x10mm

L6-bx4

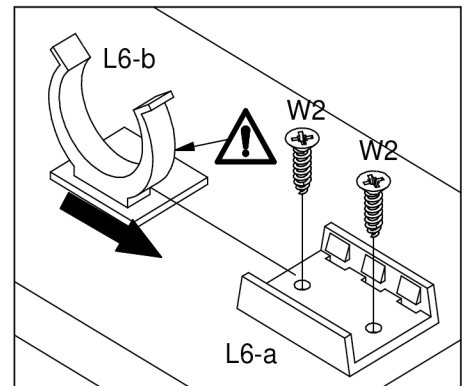


35x32x25mm

W2x8

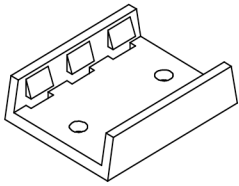


Ø3,5x16mm



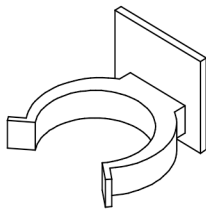
C2

L6-a x 2



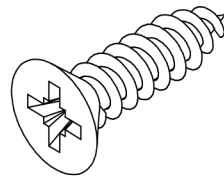
38x30x10mm

L6-b x 2



35x32x25mm

W2 x 4



Ø3,5x16mm

